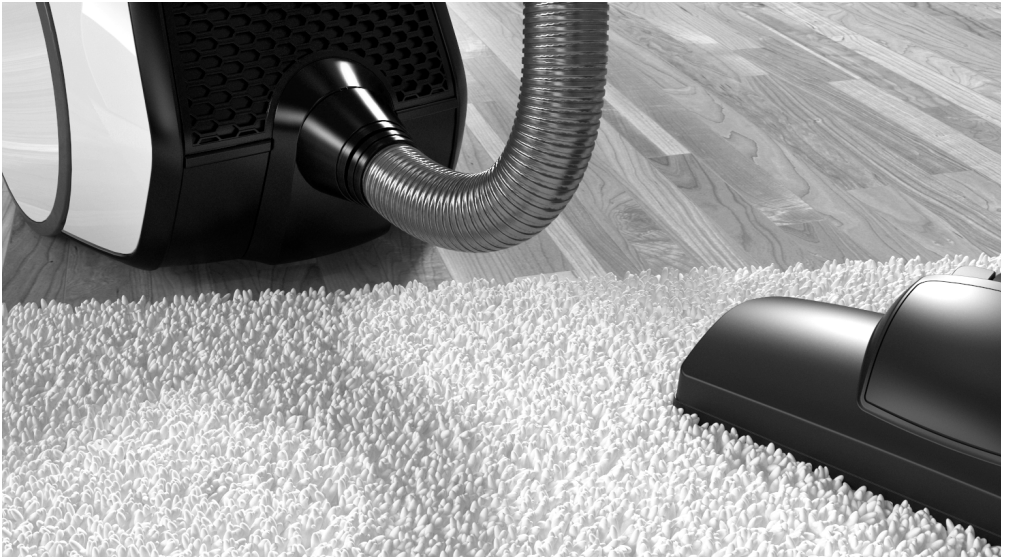


**Miele**

# Vacuum cleaner



# Operating instructions

AUS, NZ

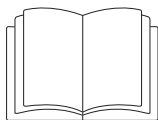
**HS20**

M.-Nr. 11 646 821

# Contents

---

|   |    |
|---|----|
| <b>Warning and Safety instructions</b> .....                  | 3  |
| <b>Guide to the appliance</b> .....                           | 8  |
| <b>Caring for the environment</b> .....                       | 10 |
| <b>Connection</b> .....                                       | 11 |
| <b>Using the supplied accessories</b> .....                   | 14 |
| <b>Use</b> .....  | 14 |
| <b>Setting down and storing the vacuum cleaner</b> .....      | 18 |
| <b>Maintenance</b> .....                                      | 18 |
| Emptying and cleaning the dust container.....                 | 18 |
| Cleaning the fine dust filter.....                            | 19 |
| Putting the fine dust filter and the filter mat together..... | 22 |
| Cleaning the filter frame and pre-filter.....                 | 22 |
| When to replace the exhaust filter.....                       | 24 |
| Replacing the exhaust filter.....                             | 25 |
| Replacing the thread lifters .....                            | 26 |
| <b>Cleaning and care</b> .....                                | 27 |
| <b>Problem solving guide</b> .....                            | 28 |
| <b>Service</b> .....  | 29 |
| Contact in case of malfunction .....                          | 29 |
| Warranty .....  | 29 |
| <b>Optional accessories</b> .....                             | 29 |
| Purchasing accessories .....                                  | 29 |
| <b>Electrical connection</b> .....                            | 30 |



- ▶ It is essential to read these instructions.

This vacuum cleaner conforms to current safety requirements. Inappropriate use can lead to personal injury and damage to property.

Please read the operating instructions before using the vacuum cleaner for the first time. They contain important information on the safety, use and maintenance of the vacuum cleaner. This will prevent both personal injury and damage to the appliance.

In accordance with standard IEC 60335-1, Miele expressly and strongly advises that you read and follow the instructions in the “Connection” chapter as well as the safety instructions and warnings.

Miele cannot be held liable for injury or damage caused by non-compliance with these instructions.

Keep these operating instructions in a safe place and pass them on to any future owner.

Always disconnect the vacuum cleaner from the power supply when you have finished using it, before changing any accessories, as well as for maintenance work, cleaning and troubleshooting. Switch off at the wall socket and unplug it.

### **Correct application**

- ▶ This vacuum cleaner is intended for cleaning flooring in domestic households and similar residential environments. This vacuum cleaner is not suitable for use on construction sites.
- ▶ This vacuum cleaner is not intended for outdoor use.
- ▶ This vacuum cleaner can be used for all normal cleaning of carpets, rugs and robust hard flooring.

## Warning and Safety instructions

---

- ▶ This vacuum cleaner is intended for use at altitudes of up to 4000 m above sea level.
- ▶ The vacuum cleaner must only be used to vacuum dry floor surfaces. Do not vacuum people or animals. Any other types of use, modifications or alterations are not permitted.
- ▶ The vacuum cleaner can only be used by people (including children) with reduced physical, sensory, or mental capabilities, or lack of experience or knowledge, if they are supervised whilst using it or have been shown how to use it in a safe way and understand and recognise the consequences of incorrect operation.

### Safety with children

- ▶ Danger of suffocation. Packaging, e.g. plastic wrappings, must be kept out of the reach of babies and children. Whilst playing, children could become entangled in packaging or pull it over their head and suffocate.
- ▶ Young children must be kept away from the vacuum cleaner unless they are constantly supervised.
- ▶ Older children may only use the vacuum cleaner without supervision if they have been shown how to use it in a safe manner. Children must be able to understand and recognise the possible dangers caused by incorrect operation.
- ▶ Children must not be allowed to clean or maintain the vacuum cleaner unsupervised.
- ▶ Please supervise children in the vicinity of the vacuum cleaner and do not let them play with it.

### Technical safety

- ▶ Before using the vacuum cleaner and its accessories, check for any visible signs of damage. Do not use a damaged appliance.

## Warning and Safety instructions

---

▶ Compare the connection data on the data plate of the vacuum cleaner (mains voltage and frequency) with that of the mains electricity supply. This data must match exactly. Without modifications, the vacuum cleaner is suitable for 50 Hz or 60 Hz.

▶ The mains electrical outlet must be fitted with an appropriate circuit breaker.

▶ Temporary or permanent operation with a self-sufficient or non-mains synchronous energy supply system (e.g. isolated networks, back-up systems) is possible. A requirement for the operation is that the energy supply system complies with all current local and national requirements that apply to stand-alone, solar and/or battery systems.

The protective measures provided in the domestic installation and in this Miele product must also be assured in their function and operation in isolated operation or in non-mains synchronous operation, or replaced with equivalent measures in the installation.

▶ Do not pull or carry the vacuum cleaner by the cable, and be careful not to damage the cable when withdrawing the plug from the socket. Keep the cable away from sharp edges and do not let it get squashed, for example, under a door. Avoid running the vacuum cleaner over the cable. This could damage the cable, plug or socket. The appliance must not be used if any of these have suffered damage.

▶ Do not use the vacuum cleaner if the cable is damaged. If the cable is damaged it must be replaced together with a complete cable rewind. For safety reasons this must only be done by Miele Service or a Miele authorised service technician.

▶ Repairs should only be undertaken by a Miele authorised service technician. Otherwise the warranty will be invalidated.

▶ Repairs and other work by unqualified persons can cause considerable danger to users.

## Warning and Safety instructions

---

- ▶ Miele can only guarantee the safety of the appliance when genuine Miele replacement parts are used. Faulty components must only be replaced with genuine Miele replacement parts.
- ▶ The packaging material protects the vacuum cleaner from transport damage. We recommend you keep the packaging for transport purposes.

### Cleaning

- ▶ Do not immerse the vacuum cleaner or any accessories supplied with it in water.
- ▶ Clean the vacuum cleaner and accessories only with a dry cloth or slightly damp cloth and mild washing-up liquid.  
Exception for fine dust filter:  
if the dust filter is heavily soiled, you can rinse the pleated side of the filter and the filter mat under cold running water.  
Do not use washing-up liquid or cleaning brushes. Do not use sharp or pointed objects. After cleaning, allow the fine dust filter and the filter mat to dry in a well ventilated room for a minimum of 24 hours, placing the filter with the pleated side facing up.

### Correct use

- ▶ Do not use the vacuum cleaner without the dust container, fine dust filter with filter mat, filter frame, pre-filter, dust compartment seal and exhaust filter.
- ▶ Do not vacuum up anything which has been burning or is still glowing e.g. cigarettes, ashes or coal, whether glowing or apparently extinguished.
- ▶ Do not use the vacuum cleaner to vacuum up any water, liquid or damp dirt. Wait until any freshly cleaned or shampooed rugs or carpets are completely dry before attempting to vacuum.
- ▶ Do not use the vacuum cleaner to vacuum toner dust. Toner, such as that used in printers and photocopiers, can conduct electricity.

## Warning and Safety instructions

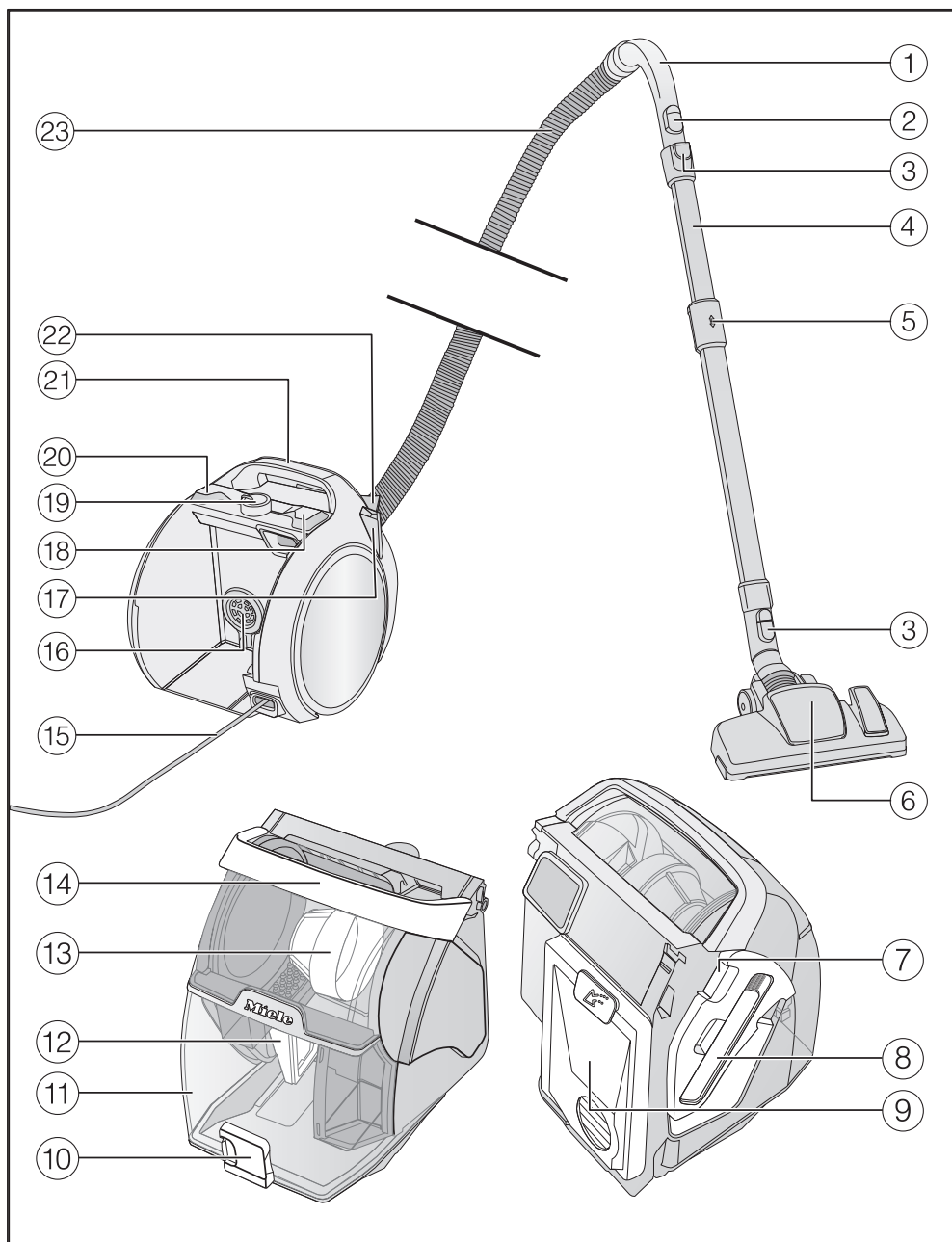
---

- ▶ Do not vacuum up any inflammable or combustible liquids or gases and do not vacuum in areas where such substances are stored.
- ▶ Do not vacuum at head height and do not let the suction get anywhere near a person's head.

### **Accessories**

- ▶ It is not advisable to vacuum directly with the handle, i.e. without an accessory attached as the rim could get damaged and you could hurt yourself on sharp edges.
- ▶ Only use genuine accessories with the “ORIGINAL Miele” logo on the packaging. The manufacturer cannot otherwise guarantee the safety of the product.

# Guide to the appliance





- ① Handle
- ② Air inlet valve
- ③ Release catches
- ④ Comfort telescopic tube
- ⑤ Release catch for Comfort telescopic tube
- ⑥ Floorhead\*
- ⑦ Side flap release catch (to gain access to the filter frame and the pre-filter)
- ⑧ Cleaning tool
- ⑨ Fine dust filter with filter mat
- ⑩ Dust container release catch
- ⑪ Dust container
- ⑫ Filter frame
- ⑬ Pre-filter
- ⑭ Dust container carrying handle
- ⑮ Connection cable
- ⑯ Dust compartment seal
- ⑰ Park system
- ⑱ Footswitch for cable rewind
- ⑲ Suction power selector
- ⑳ On/Off footswitch
- ㉑ Vacuum cleaner carrying handle
- ㉒ Exhaust filter compartment flap
- ㉓ Suction hose

\* These special features depend on the model and may vary or may not be available on your vacuum cleaner.

# Caring for the environment

---

## Disposing of sales packaging

The packaging material protects the vacuum cleaner from transport damage. The packaging materials used are selected from materials which are environmentally friendly for disposal and can therefore be recycled.

Recycling the packaging material reduces the use of raw materials in the manufacturing process and also reduces the amount of waste in landfill sites. Ensure that any plastic wrappings, bags, etc. are disposed of safely and kept out of the reach of babies and young children. Danger of suffocation.

## Disposing of your old appliance

Before disposing of your old appliance, remove the fine dust filter including the filter mat and the exhaust filter and dispose of them with your household waste.

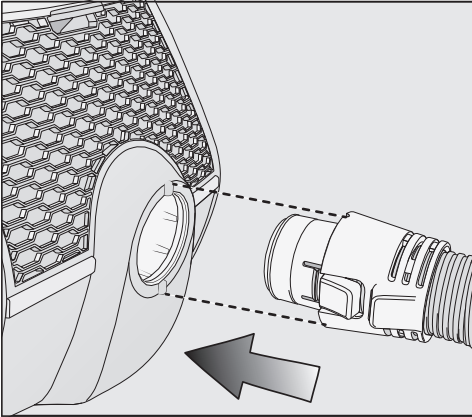
Electrical and electronic appliances contain many valuable materials. They also contain certain materials, compounds and components which were essential for their correct functioning and safety. These could be hazardous to human health and to the environment if disposed of with household waste or if handled incorrectly. Please do not, therefore, dispose of your old appliance with household waste.



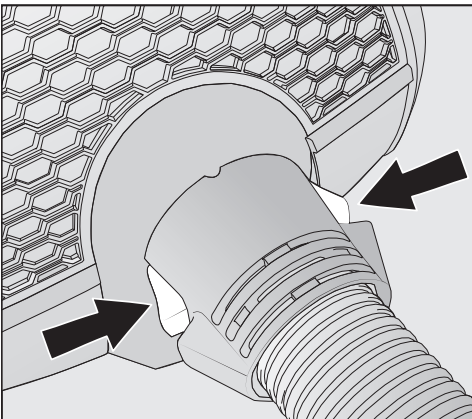
Please dispose of it at your local community waste collection / recycling centre for electrical and electronic appliances, or contact your dealer or Miele for advice. Please ensure that your old appliance poses no risk to children while being stored prior to disposal.

## Connection

### Attaching the suction hose

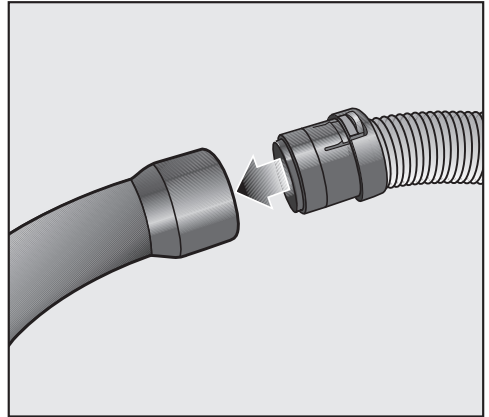


- Insert the hose connector into the suction opening on the vacuum cleaner until it clicks into position. To do this, line up the guides on the two pieces.



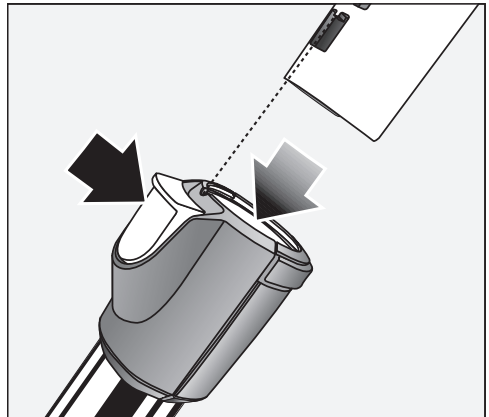
- If you want to separate the pieces again, press the release catches at the side of the hose connector, and pull the suction hose out of the suction opening.

### Connecting the suction hose to the handle



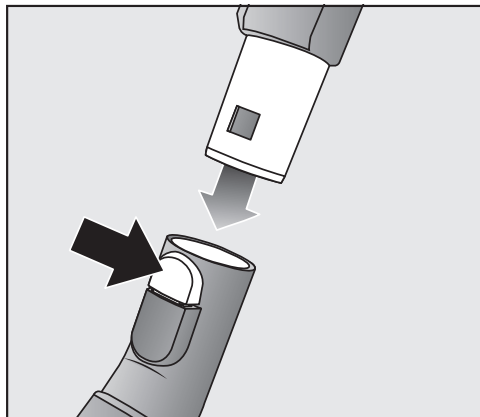
- Insert the suction hose into the handle until it clicks into position.

### Connecting the handle to the suction tube



- Insert the handle into the suction tube until it clicks into position. To do this, line up the guides on the two pieces.
- To detach the handle from the suction tube, press the release catch and pull the handle out of the suction tube, twisting it slightly as you do so.

## Connecting the telescopic tube to the floorhead



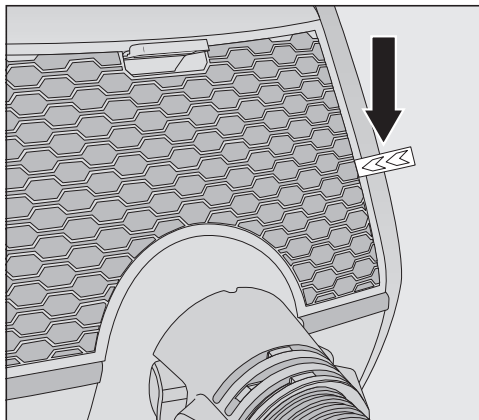
- Push the telescopic tube into the floorhead and turn it clockwise or anti-clockwise until it clicks into position.
- To detach the floorhead from the suction tube press the release button and pull the suction tube away from the floorhead, twisting it slightly as you do so.

## Activating the timestrip® filter change indicator on the HEPA AirClean exhaust filter

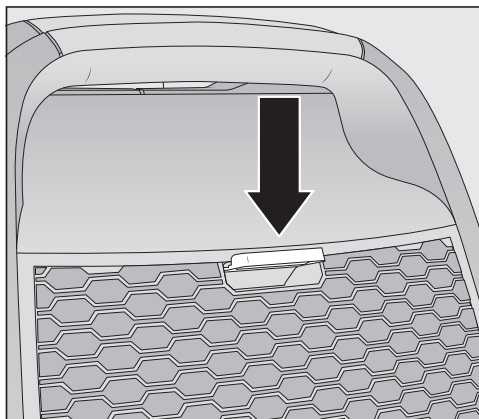
Depending on the model, your vacuum cleaner will be fitted as standard with one of the following exhaust filters:

- Hygiene AirClean SF-HY 60 (turquoise)
- HEPA AirClean SF-HA 60 (white)

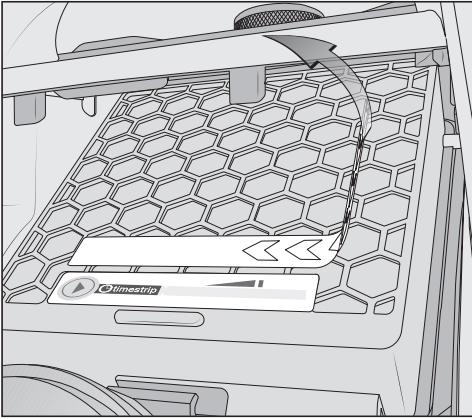
If your vacuum cleaner is fitted with a HEPA AirClean exhaust filter, you need to activate the timestrip® filter change indicator.



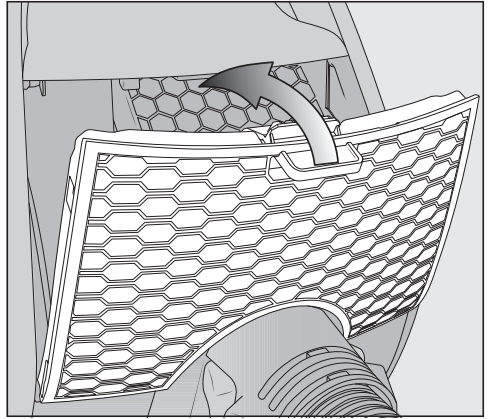
You will recognise that the HEPA AirClean exhaust filter is fitted to the appliance by an indicator strip hanging out of the exhaust filter compartment.



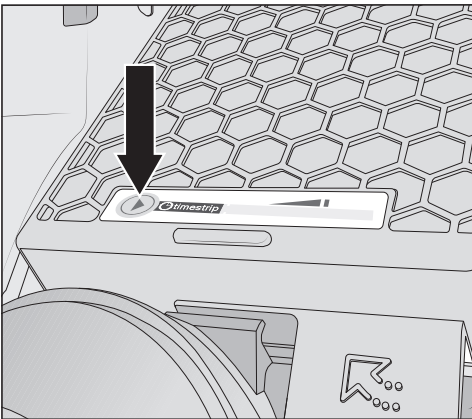
- Press the release catch on the exhaust filter compartment flap and remove the flap.



- Remove the indicator strip from the HEPA AirClean exhaust filter.

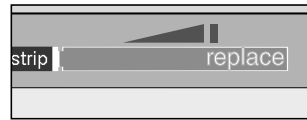


- Fit the exhaust filter compartment flap carefully in the bottom of the exhaust filter compartment and close the flap, making sure it clicks into position.



- Press the timestrip® filter change indicator on the HEPA AirClean exhaust filter.

### How the exhaust filter timestrip® change indicator works

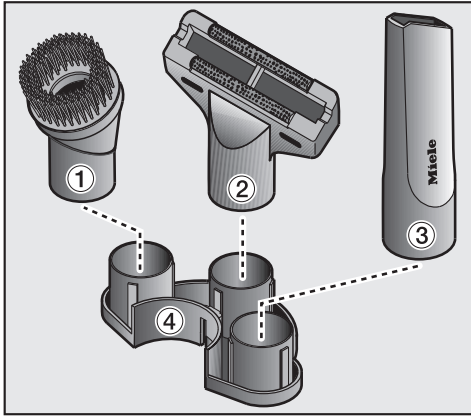


The exhaust filter timestrip® change indicator shows the remaining functional life of the exhaust filter. After approx. 50 operating hours the display will be completely filled with red. 50 operating hours equates to approximately one year of use.

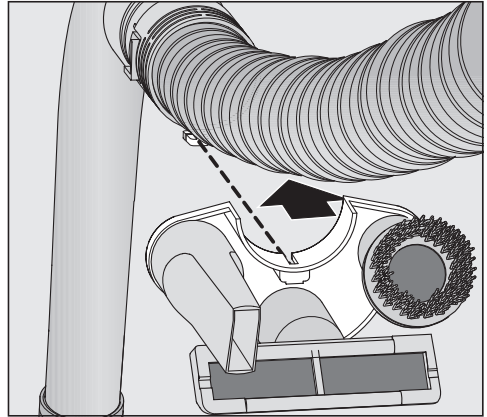


After approx. 10–15 seconds, a thin red line will appear in the left-hand side of the display.

## Using the supplied accessories



- ① **Dusting brush**  
For cleaning skirting boards, as well as ornate, carved or particularly delicate objects.  
The head can be swivelled to adjust the angle.
- ② **Upholstery nozzle**  
For cleaning upholstery, mattresses, cushions, curtains, etc.
- ③ **Crevice nozzle**  
For cleaning in folds, crevices or corners.
- ④ **Accessories holder for the above accessories**  
Symbols on the holder show where to attach the different accessories.

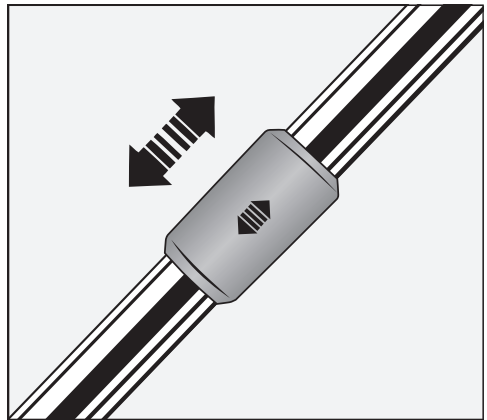


- Attach the accessories holder to the connector on the handle if required.  
Make sure it clicks into position.

## Use

### Adjusting the telescopic suction tube

One part of the telescopic suction tube is packed inside the other, and it can be adjusted to suit your height for comfortable vacuuming.



- Grasp the release mechanism and adjust the telescopic suction tube to the required length.

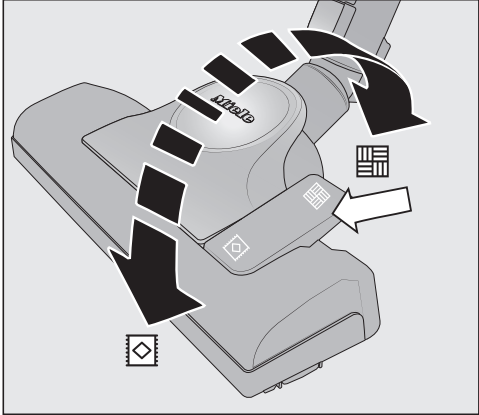
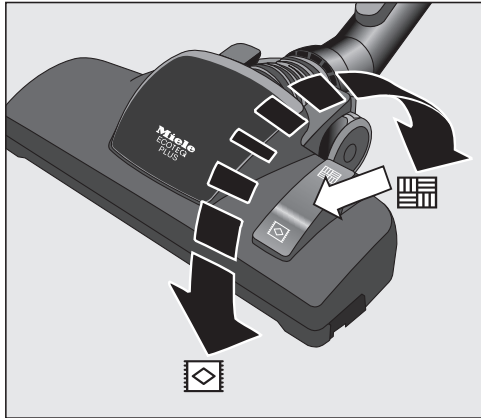
## Adjusting the floorhead

Depending on the model, your vacuum cleaner will be fitted as standard with one of the floorheads illustrated.

This vacuum cleaner can be used for daily cleaning of carpets, rugs and robust hard flooring.

Miele offers a range of other floorheads, brushes and accessories for other types of flooring and special applications (see “Optional accessories”).

Please observe the flooring manufacturer’s cleaning and care instructions.



Clean even hard flooring which is not susceptible to scratching, as well as flooring with gaps or deep crevices in it with the brush protruding:

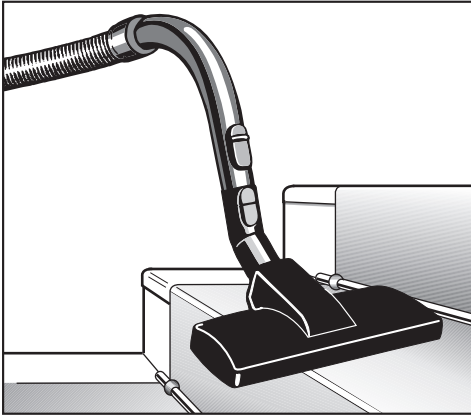
- Press the  footswitch.

Vacuum carpets and rugs with the brush retracted:


- Press the  footswitch.

If the suction power of the adjustable floorhead seems too high, reduce the suction until the floorhead is easier to manoeuvre (see “Use” – “Regulating the suction power”).

## Adjustable floorhead

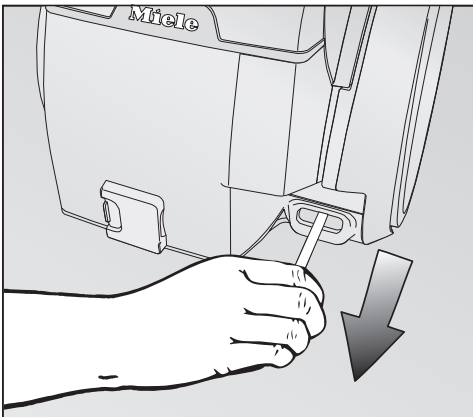


The adjustable floorhead can also be used for vacuuming the stairs.

 Risk of injury caused by falling vacuum cleaner.


You may be injured if the vacuum cleaner should fall from the stairs. When vacuuming stairs, it is best to start at the bottom of the stairs and move upwards.

## Unwinding the mains cable



■ Pull the mains cable out to the required length.

■ Insert the plug into the socket.

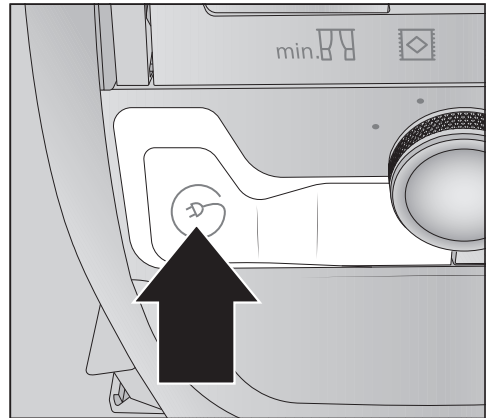
 Risk of damage due to overheating.

The mains cable may overheat after a long period of use.

If vacuuming for longer than 30 minutes, the cable must be pulled out all the way.

## Rewinding the cable

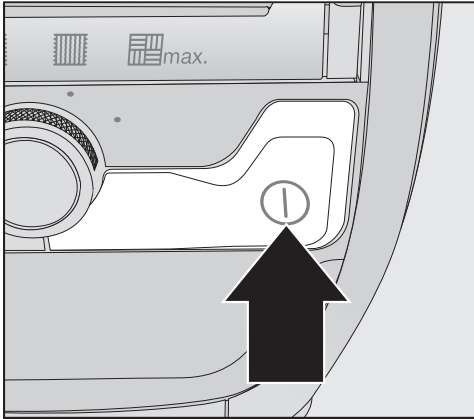
■ Switch off at the wall socket and unplug it.



■ Press the rewind foot switch. The cable will rewind automatically.



## Switching on and off



- Press the On/Off footswitch ①.





## During vacuuming

- During vacuuming, pull the vacuum cleaner behind you like a sledge.

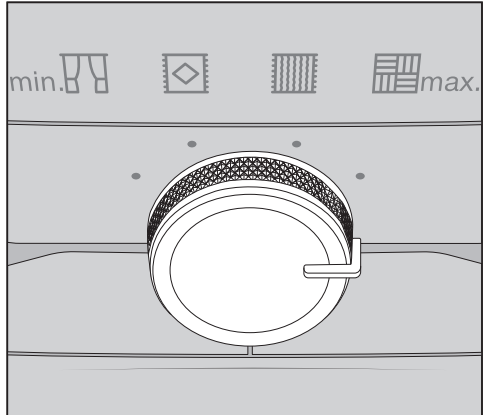
## To regulate the suction power

The suction power can be regulated to suit the type of flooring being cleaned. Reducing the suction power reduces the amount of effort required to manoeuvre the floorhead.

The vacuum cleaner has symbols on the controls which indicate the type of use the settings are suitable for.

-  Curtains, fabric
-  Cut pile carpets, rugs and runners
-  Loop pile carpet and rugs
-  Hard flooring and heavily soiled carpets and rugs (also for cleaning upholstery and mattresses with the upholstery nozzle)

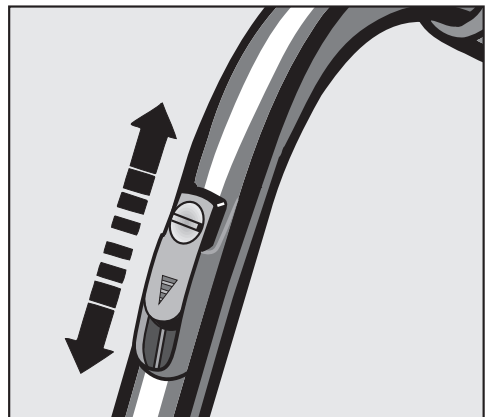
When using the adjustable floorhead, if the suction seems too high, reduce the suction power until the floorhead is easier to manoeuvre.



- Turn the suction power selector to the power level you require, making sure it clicks into position.

## Opening the air inlet valve


It is easy to reduce the suction power for a short time, e.g. to prevent rugs or other textile flooring being sucked into the vacuum cleaner.



- Open the air inlet valve on the handle far enough to reduce the suction power.

The floorhead will be easier to manoeuvre.

## Setting down and storing the vacuum cleaner

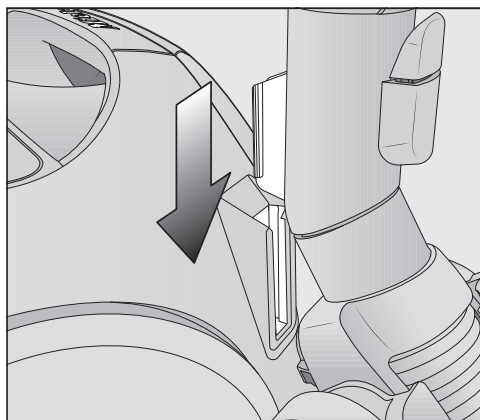
 Risk of electric shock from mains voltage.

The mains voltage is applied to the appliance even if it is switched off.

After use, switch the appliance off at the wall socket and unplug it.

### Park system

- Retract the telescopic tube fully.




- Slot the floorhead or floorbrush into the park system from above.

Do not lift the vacuum cleaner by the dust container carrying handle when transporting it.

Always use the vacuum cleaner carrying handle.

## Maintenance

 Risk of electric shock from mains voltage.

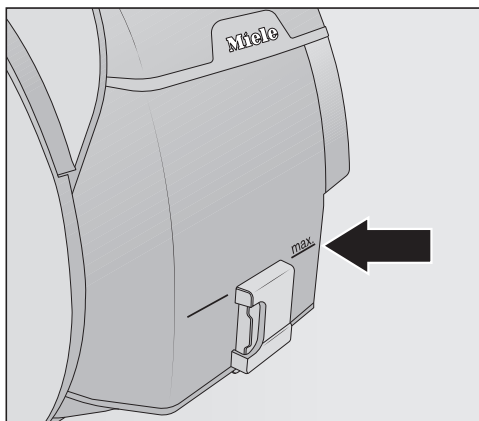
The mains voltage is applied to the appliance even if it is switched off.

Before carrying out any maintenance work, switch the appliance off at the wall socket and unplug it.

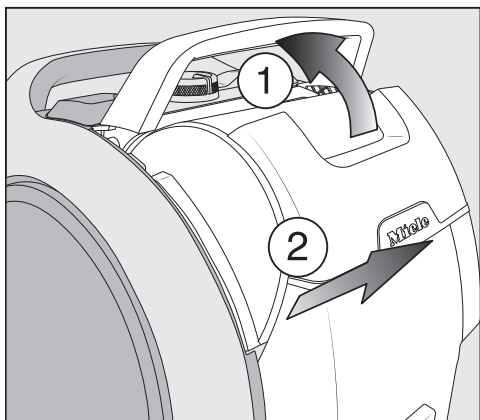
We recommend using only genuine Miele accessories bearing the “ORIGINAL Miele” logo on the packaging. Only these will guarantee the optimum performance of your vacuum cleaner and the best possible cleaning results.

Please note that faults and damage caused by use of accessories which do not bear the “ORIGINAL Miele” logo on the packaging are not covered by the vacuum cleaner warranty.

### Emptying and cleaning the dust container



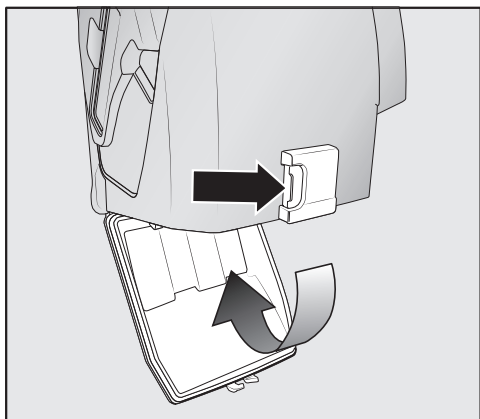
- Empty the dust container before the dust reaches the **max** marking on the dust container.



- Unlatch the dust container by lifting the handle upwards.
- Remove the dust container.

The contents of the container can be disposed of with normal household waste, providing they consist of general household dust only.

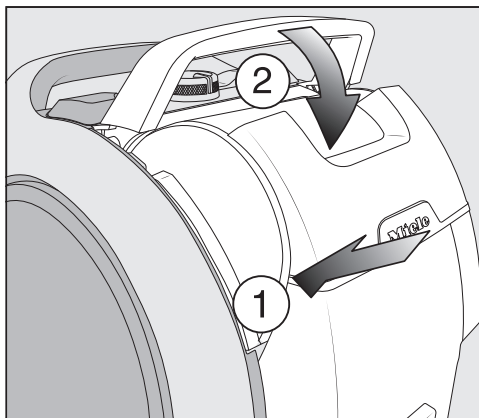
- Hold the dust container close to the bin to prevent dust from billowing out.



- Press the release catch on the bottom of the dust container.

The flap will open and the dust will fall out.

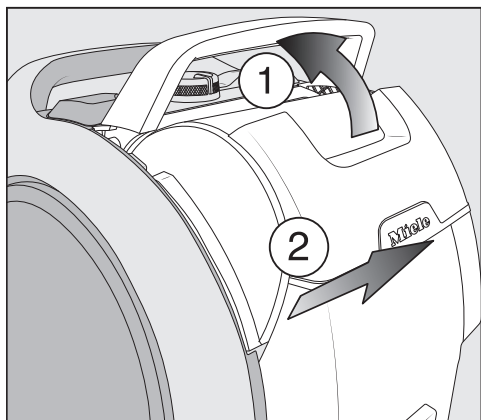
- Clean the dust container using a slightly damp cloth and mild washing-up liquid if necessary.
- Dry the dust container thoroughly.
- Close the flap making sure it clicks into place.



- Insert the dry dust container back into the vacuum cleaner at an angle with the handle lifted up.
- Latch the dust container into place by pushing the handle back down.

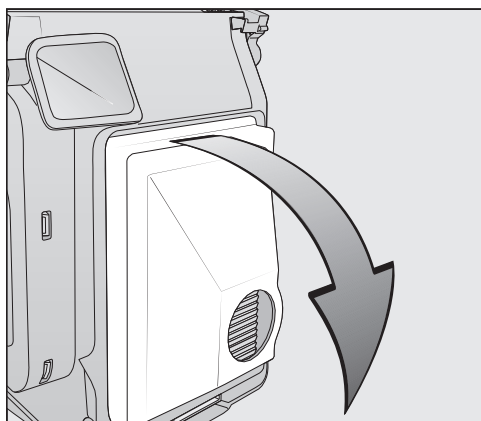
### Cleaning the fine dust filter

The fine dust filter is located on the rear side of the dust container. It is equipped with a filter mat. Both parts should be cleaned when necessary, and should also be cleaned should suction power start to weaken. Clean both filters once a month with water and allow 24 hours for the filters to dry.

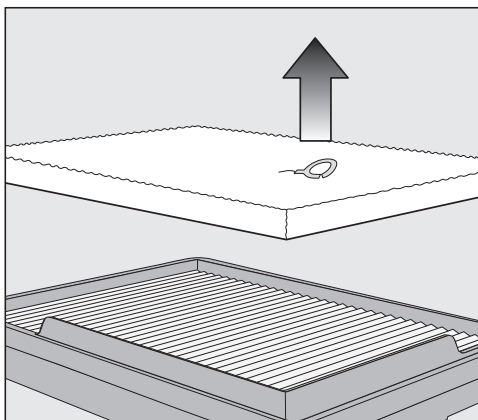


- Remove the dust container.

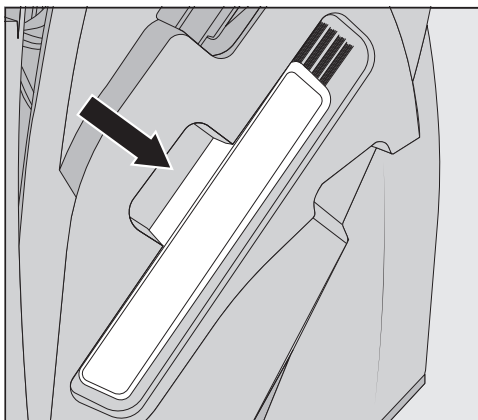
The fine dust filter is located at the rear of the dust container.



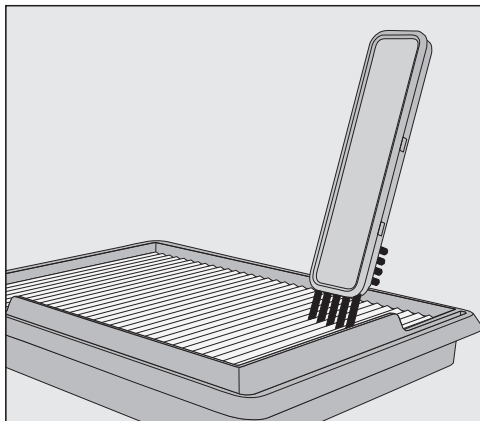
- Remove the fine dust filter in the direction of the arrow.



- Remove the filter mat from the fine dust filter.
- Carefully knock the dust out of both filters over a bin.



- Take the cleaning tool out of the side flap on the dust container.



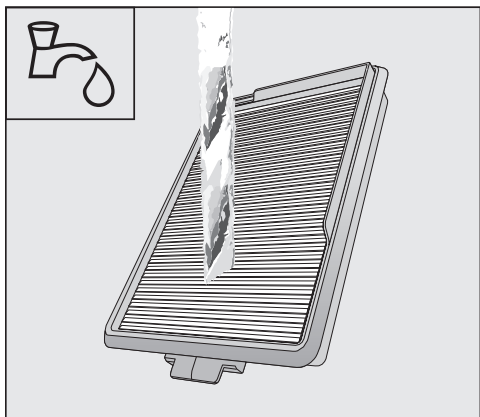
- Clean the pleated side of the fine dust filter with the long brushes on the cleaning tool.

**⚠ Risk of damage caused by incorrect cleaning.**

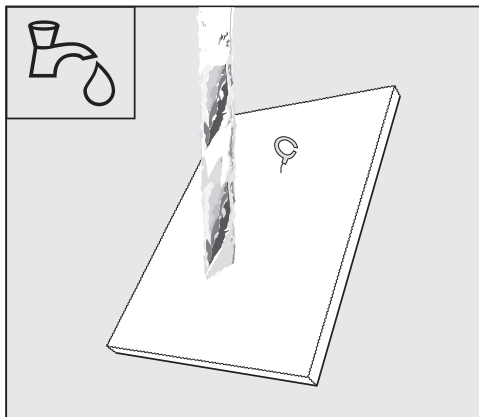
The fine dust filter and the filter mat can become damaged and be less effective as a result.

Do not use pointed or sharp-edged objects to clean the fine dust filter and the filter mat.

Clean the pleated side of the fine dust filter and the filter mat with water once a month.



- Rinse the pleated side of the fine dust filter under cold running water.



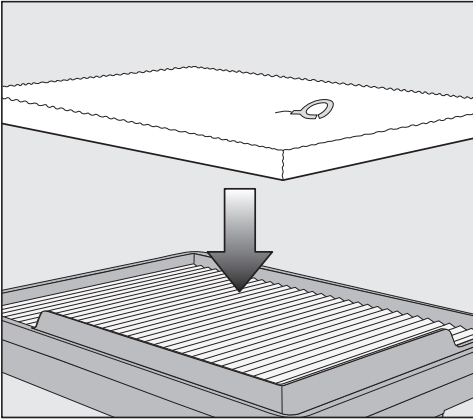
- Rinse the filter mat under cold running water.

**⚠ Risk of damage caused by incorrect cleaning.**

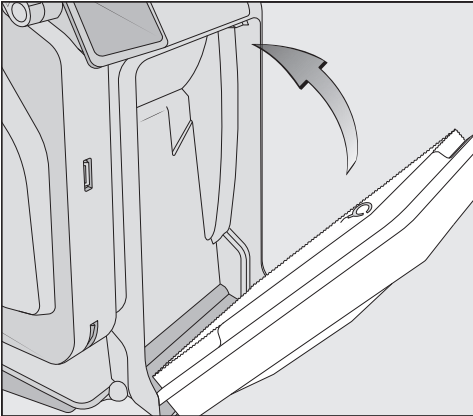
The fine dust filter and the filter mat can become damaged and be less effective as a result.

Do not use washing-up liquid or cleaning brushes when cleaning the pleated side of the fine dust filter and the filter mat with water. After cleaning, allow the fine dust filter to dry in a well ventilated room for a minimum of 24 hours with the pleated side facing up. The filter mat must also be left to dry for at least 24 hours.

## Putting the fine dust filter and the filter mat together

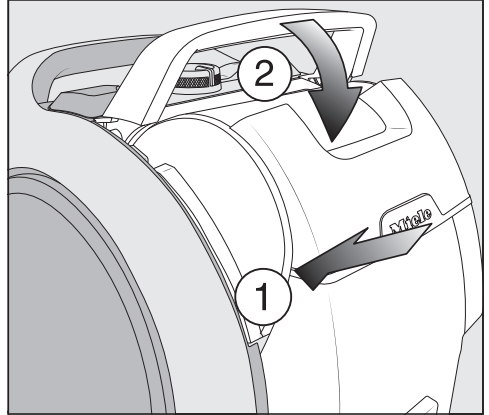


- Attach the dry filter mat to the dry fine dust filter so that the soft side of the filter mat is pointing up and the loop used to remove it is visible.



- Fit the fine dust filter carefully in the dust container.
- Press the fine dust filter firmly into position.

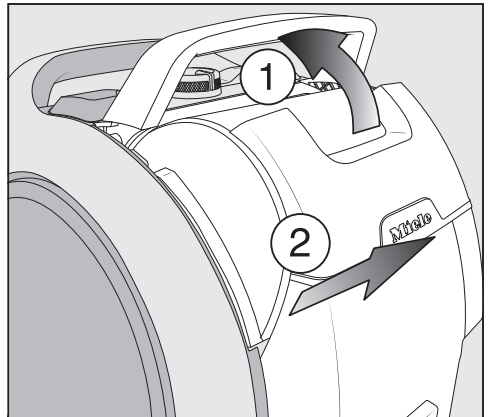
In order to continue to achieve the best possible cleaning results replace the CX FSF fine dust filter with a new one after approx. 3 years.



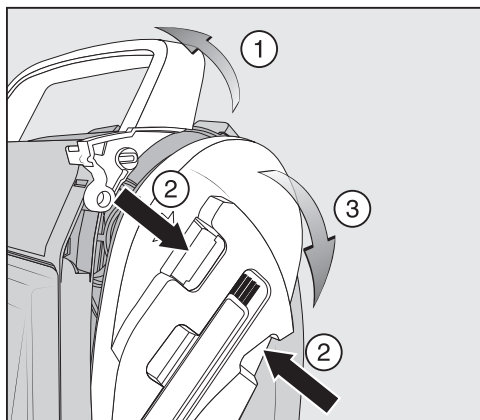
- Refit the dust container to the vacuum cleaner.

## Cleaning the filter frame and pre-filter

There is a removable filter frame on the rear side of the dust container side flap. Behind the side flap is a pre-filter. Clean both parts if required.

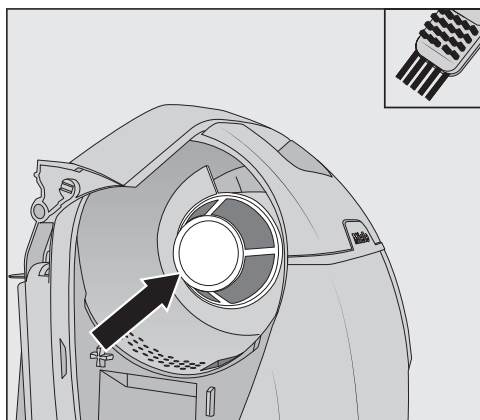


- Remove the dust container.



- ① Lift up the dust container handle and hold it in this position.
- ② Press the release catch on the side flap. There is a cut-out on the opposite side to make it easier to remove the side flap.
- ③ Remove the side flap.

Once the side flap has been removed, the pre-filter inside can be accessed.



- Clean the pre-filter and the side walls on the inside using the cleaning tool.

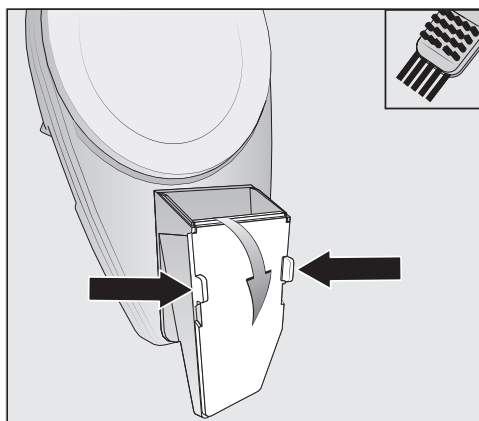
**⚠ Risk of damage caused by incorrect cleaning.**

The pre-filter can become damaged and be less effective as a result.

Do not use pointed or sharp-edged objects to clean the pre-filter.

- Clean the interior side walls using a slightly damp cloth and mild washing-up liquid if necessary.
- Dry the interior side walls carefully.

The filter frame is located on the rear side of the removed side flap at the bottom.



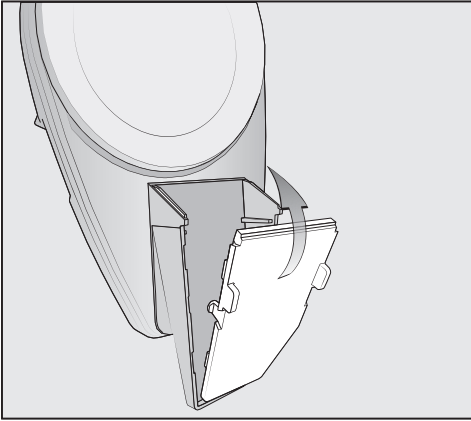
- Press the two release catches on the side of the filter frame and remove the filter.
- Clean the filter using the cleaning tool.

**⚠ Risk of damage caused by incorrect cleaning.**

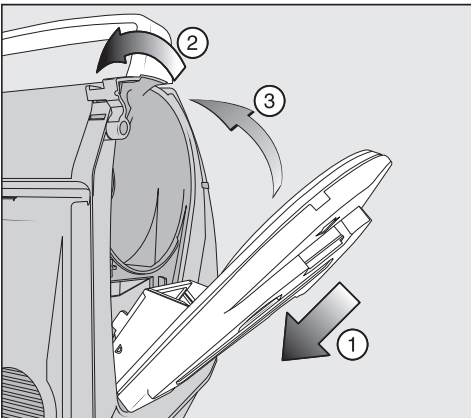
The filter can become damaged and be less effective as a result.

Do not use pointed or sharp-edged objects to clean the filter.

- Clean the filter frame and the side flap using a slightly damp cloth and mild washing-up liquid if necessary.
- Clean the filter frame and the side flap carefully.

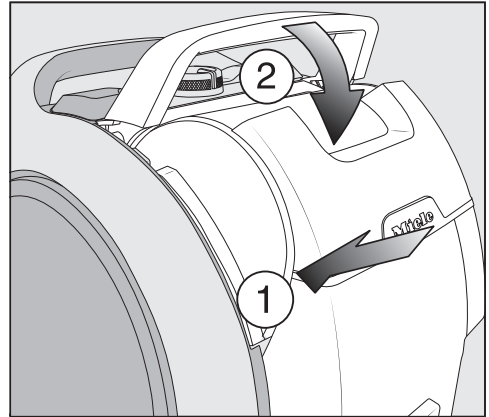


- Refit the filter at the bottom of the dry filter frame and close it, making sure it clicks into position.



- ① Carefully fit the dry side flap with the filter frame at the bottom of the dust container.
- ② Lift up the dust container handle and hold it in this position.

- ③ Press the side flap firmly into position.



- Refit the dust container to the vacuum cleaner.

### When to replace the exhaust filter

Depending on the model, your vacuum cleaner will be fitted as standard with one of the following exhaust filters:

- Hygiene AirClean SF-HY 60 (turquoise)

Replace this exhaust filter after approx. one year. Make a note of the date on the exhaust filter.

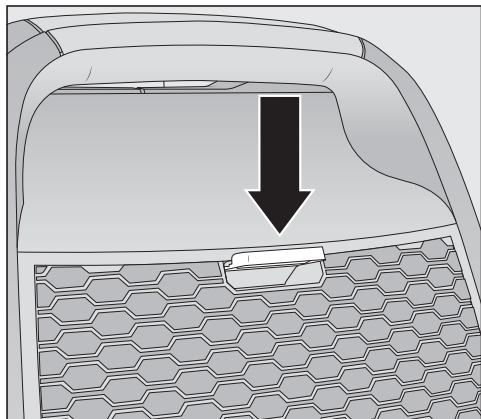
- HEPA AirClean SF-HA 60 (white)

Replace this exhaust filter if the timestrip® filter change indicator is completely red.

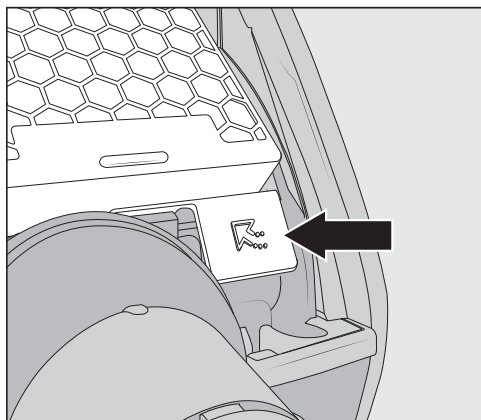
The display will be completely filled with red after approximately 50 operating hours; this corresponds to approximately one year of average use. You can continue vacuuming when the light comes on. However, the suction power will be reduced as will the effectiveness of the filter if it is not replaced in good time.



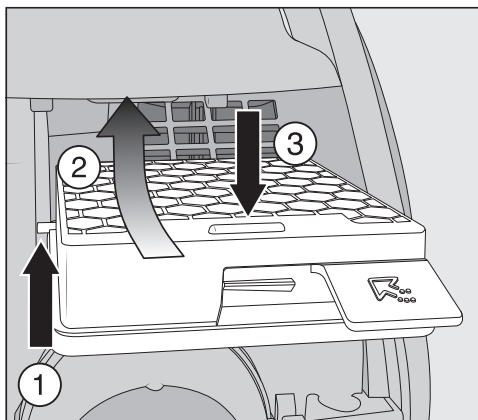
## Replacing the exhaust filter



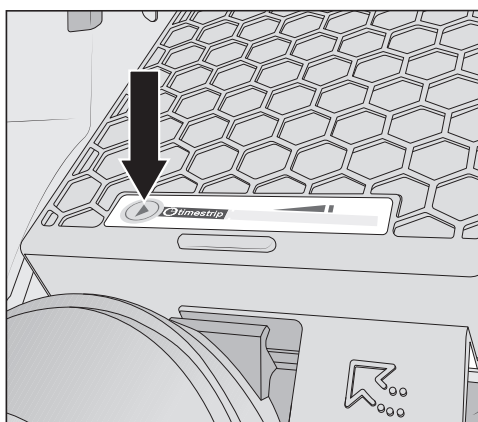
- Press the release catch on the exhaust filter compartment flap and remove the flap.



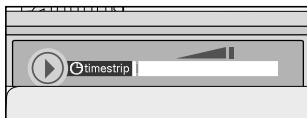
- Pull the exhaust filter removal tab upwards and pull the exhaust filter forwards to remove it.



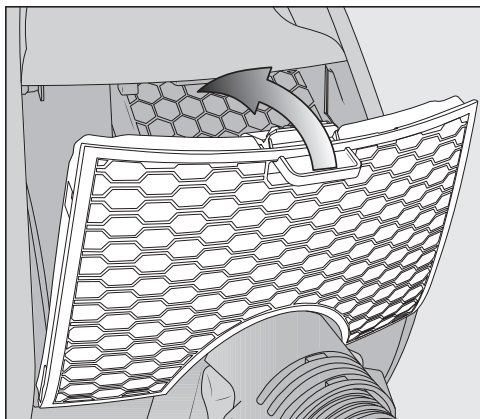
- ① Place the insertion aids that are located on both sides of the new exhaust filter into the guides on the exhaust filter compartment.
- ② Push the exhaust filter back and up.
- ③ Press the exhaust filter firmly into position until it clicks into place.



- If you have fitted your vacuum cleaner with a HEPA AirClean exhaust filter, press the timestrip® filter change indicator.



After approx. 10–15 seconds, a thin red line will appear in the left-hand side of the display.

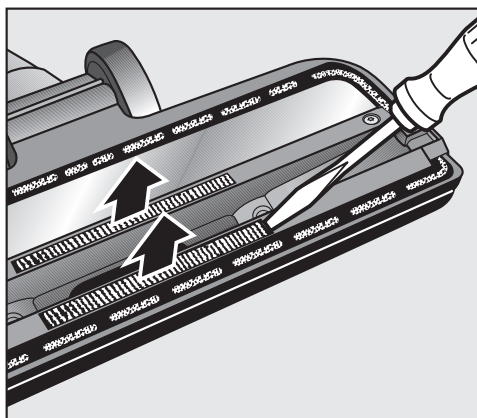


- Fit the exhaust filter compartment flap carefully in the bottom of the exhaust filter compartment and close the flap, making sure it clicks into position.

## Replacing the thread lifters

(not possible on models with Eco-TeQ Plus floorhead)

The thread lifters on the suction inlet to the floorhead can be replaced. Replace the thread lifters if the pile has worn down.




- Lever the thread lifters from the slots. To do so use a suitable tool, e.g. a flat blade screwdriver.
- Fit new thread lifters.

Replacement parts are available from your Miele dealer or from the Miele Spare Parts Dept.


---

## Cleaning and care

 Risk of electric shock from mains voltage.

The mains voltage is applied to the appliance even if it is switched off. Before cleaning, switch the appliance off at the wall socket and unplug it.

### Vacuum cleaner and accessories


 Risk of electric shock from mains voltage.

If moisture gets into the vacuum cleaner, there is a risk of electric shock.

Do not let the vacuum cleaner get wet.

Follow the special cleaning instructions for the fine dust filter and the filter mat (see “Maintenance” – “Cleaning the fine dust filter”).

The vacuum cleaner and all plastic accessories can be cleaned with a proprietary cleaner suitable for plastic.

 Damage due to unsuitable cleaning agents.

All surfaces are susceptible to scratching. Contact with unsuitable cleaning agents can alter or discolour the external surfaces.

Do not use abrasive cleaning agents, glass cleaning agents, all-purpose cleaners or oil-based conditioning agents.

## Problem solving guide

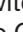
With the help of the following guide, minor faults in the performance of the appliance, some of which may result from incorrect operation, can be remedied without contacting Miele. This will save you time and money because you won't need a service call.

Please note that a call-out charge will be applied to unnecessary service visits where the problem could have been rectified as described in these operating instructions.

 Risk of electric shock from mains voltage.

The mains voltage is applied to the appliance even if it is switched off.

Before dealing with any problems, switch the appliance off at the wall socket and unplug it.

| Problem  | Cause and remedy   |
|--|--|
| <p><b>The vacuum cleaner switches off automatically.</b></p> | <p>A temperature limiter switches the vacuum cleaner off automatically if it gets too hot. This can occur when the airways are blocked by bulky objects.</p> <ul style="list-style-type: none"> <li>■ Switch the vacuum cleaner off immediately using the On/Off footswitch . Switch off at the wall socket and unplug it.</li> </ul> <p>After removing the cause, wait for approximately 20–30 minutes to allow the vacuum cleaner to cool down. It can then be switched on again.</p> |
| <p><b>The cleaning performance is poor.</b></p>              | <p>The dust container is full.</p> <ul style="list-style-type: none"> <li>■ Empty and clean the dust container (see “Maintenance” – “Emptying and cleaning the dust container”).</li> </ul>  |
| <p><b>Cleaning performance is reduced.</b></p>               | <p>The fine dust filter is soiled.</p> <ul style="list-style-type: none"> <li>■ Clean the fine dust filter and the filter mat (see “Maintenance” – “Cleaning the fine dust filter”).</li> </ul> <p>The filter frame/pre-filter is soiled.</p> <ul style="list-style-type: none"> <li>■ Clean the filter frame/pre-filter (see “Maintenance” – “Cleaning the filter frame and pre-filter”).</li> </ul>  |

## Service

### Contact in case of malfunction

In the event of any faults which you cannot remedy yourself, please contact Miele.

Contact information for Miele can be found at the end of this document.

Please note that telephone calls may be monitored and recorded for training purposes and that a call-out charge will be applied to service visits where the problem could have been resolved as described in this booklet.

### Warranty

The manufacturer's warranty for this appliance is 2 years.

For more information about country specific warranty terms and conditions, please contact Miele.

### Optional accessories

Follow the flooring manufacturer's cleaning and care instructions.

We recommend using only genuine Miele accessories bearing the "ORIGINAL Miele" logo on the packaging. Only these will guarantee the optimum performance of your vacuum cleaner and the best possible cleaning results.

Please note that faults and damage caused by use of accessories which do not bear the "ORIGINAL Miele" logo on the packaging are not covered by the vacuum cleaner warranty.

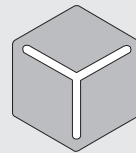
## Purchasing accessories

Original Miele accessories are available from the Miele webshop, the Miele Customer Service Department and from your Miele dealer.

Original Miele accessories are identified by the "ORIGINAL Miele" logo on the packaging.



With 3D4U, Miele also offers free accessories to download for your 3D printer ([www.miele.com](http://www.miele.com), Service, 3D4U).



3 D 4 U

Certain models are supplied with one or more of the following accessories as standard.

### Floorheads / brushes

(only available in selected countries)

#### TurboTeQ Turbobrush (STB 305-3)

This brush is ideal for cleaning cut pile carpet.

---

### **Parquet Twister floorbrush with swivel action (SBB 300-3)**

With natural bristles for vacuuming smooth hard floors and small gaps.

### **Parquet Twister XL floorbrush with swivel action (SBB 400-3)**

With natural bristles for quickly vacuuming smooth hard floors and small gaps.

### **Other accessories**

(only available in selected countries)

### **Turbo Mini hand turbobrush (STB 101)**

For vacuuming upholstery, mattresses or car seats, etc.

### **Universal brush (SUB 20)**

For dusting books, shelves, etc.

### **Radiator brush (SHB 30)**

For dusting radiators, narrow shelves and crevices.

### **Mattress nozzle (SMD 10)**

For vacuuming upholstery, mattresses, cushions, curtains, covers etc.

### **Crevice nozzle, 300 mm (SFD 10)**

Extra long crevice nozzle for cleaning in folds, crevices and corners.

### **Crevice nozzle, 560 mm (SFD 20)**

Flexible crevice nozzle for vacuuming hard to reach places.

### **XL upholstery nozzle (SPD 20)**

Wide upholstery nozzle for cleaning upholstery, mattresses and cushions.

## **Electrical connection**

All work should be carried out by a suitably qualified and competent person in strict accordance with national and local safety regulations. The voltage and rated load are given on the data plate located underneath the vacuum cleaner. Please ensure that these match the household mains supply. The charger is supplied with a cable and moulded plug ready for connection to a 230V/50Hz AC single phase supply.

|   |                               |
|---|-------------------------------|
| Test Marks                              | Electrical safety<br>RCM Mark |
| Electrically suppressed<br>according to | CISPR 14.1                    |



# Miele

## **Miele Australia Pty. Ltd.**

ACN 005 635 398  
ABN 96 005 635 398

### **Miele Head Office Melbourne:**

Level 4, 141 Camberwell Road  
Hawthorn East, VIC 3123

### **Miele Experience Centre Doncaster:**

1136/7 Doncaster Shopping Centre  
619 Doncaster Rd, Doncaster, VIC 3108

### **Miele Experience Centre South Melbourne:**

206-210 Coventry Street  
South Melbourne, VIC 3205

### **Miele Experience Centre and Office Sydney:**

3 Skyline Place  
Frenchs Forest, NSW 2086

### **Miele Experience Centre and Office Brisbane:**

Tenancy 4C, 63 Skyring Terrace  
Newstead, QLD 4006

### **Miele Experience Centre Gold Coast:**

131 Ferry Road  
Southport, QLD 4215

### **Miele Experience Centre and Office Adelaide:**

83-85 Sir Donald Bradman Drive  
Hilton, SA 5033

### **Miele Experience Centre and Office Perth:**

205-207 Stirling Highway  
Claremont, WA 6010

**1300 464 353 (1300 4 MIELE)**

**[www.miele.com.au](http://www.miele.com.au)**

## **Miele New Zealand Limited**

IRD 98 463 631

### **Miele Experience Centre and Head Office Auckland:**

8 College Hill  
Freemans Bay, Auckland 1011

### **Miele Experience Centre Wellington:**

183 Featherston Street  
Wellington 6011

**0800 464 353 (0800 4 MIELE)**

**[www.miele.co.nz](http://www.miele.co.nz)**

## **Miele Global Headquarters Germany**

### **Miele & Cie. KG**

Carl-Miele-Straße 29  
33332 Gütersloh  
Federal Republic of Germany